



UNITED BRASS WORKS, INC.

714 S. Main St., Randleman, NC 27317

Tel: 800-334-3035 Fax: 800-498-4696 www.ubw.com

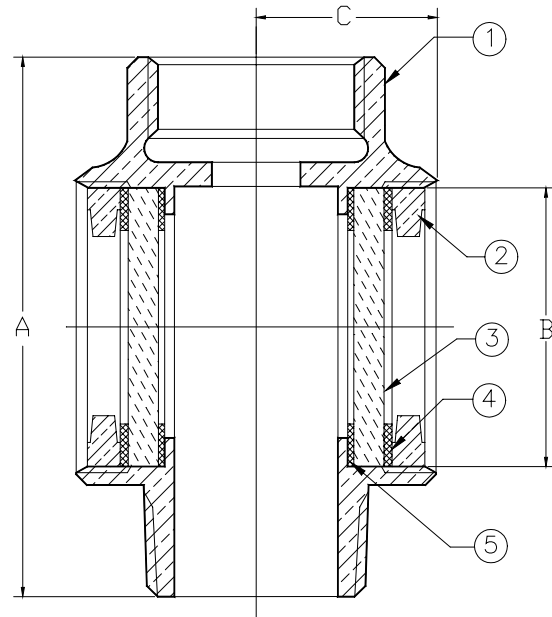


Model 70HRP Sprinkler Systems Flow Indicator

175 WOG @ 150° Max
100% Pressure Tested
Male X Female Configuration
Built-In 1/2" Restricting Orifice

* *Continuous use above 150° can cause embrittlement and reduce strength of Polycarbonate Window.*

MATERIAL LIST		
NO.	DESCRIPTION	MATERIAL
1	Body	Bronze
2	Ring	Brass
3	Window	Polycarbonate
4	Gasket	Cork
5	Gasket	Buna



Size	3/4"	1"	1 1/4"	1 1/2"	2"	2 1/2"	3"***
Operating Pressure (PSI) ***	175	175	175	175	175	175	175
A	4.00	4.00	4.00	6.19	6.19	6.38	3.88
B	1.63	1.63	1.63	2.43	2.43	2.43	2.91
C	1.69	1.69	1.75	2.25	2.25	2.25	2.52
Ship Wgt. (lbs)	1.37	1.50	1.50	4.69	4.56	5.25	8.25
Qty. Unit Pack	4	4	4	2	2	1	1
Unit Per Case	40	40	40				

** 3" Double Female Only

*** Higher Pressure Glass Available As Special