



UNITED BRASS WORKS, INC.

714 S. Main St., Randleman, NC 27317

Tel: 800-334-3035 Fax: 800-498-4696 www.ubw.com



Model 200 Strainer With Steel Plug

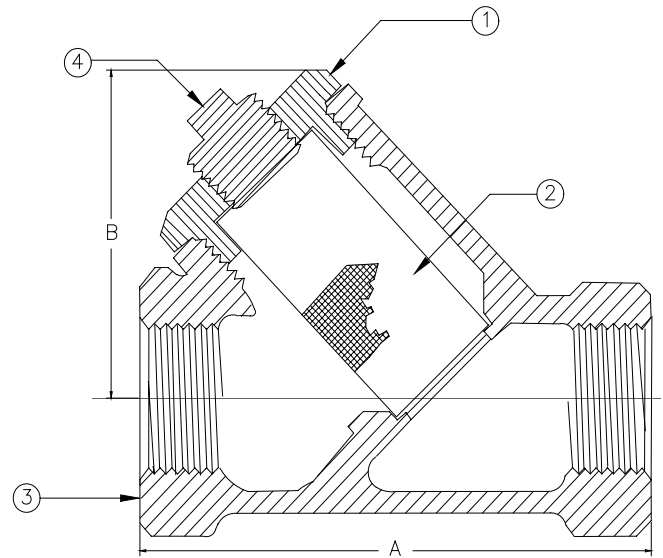
200WSP @ 406° Max
400 WOG

100% Pressure Tested
Threaded Ends

All Available in 24, 50 or 100 Mesh screen sizes.



MATERIAL LIST		
NO.	DESCRIPTION	MATERIAL
1	Cap (1/4" - 1") Cap (1 1/4" - 2")	Brass Bronze
2	Screen	Stainless Steel
3	Body	Bronze
4	Plug	Steel



Size	1/4"	3/8"	1/2"	3/4"	1"	1 1/4"	1 1/2"	2"
A	2.73	2.72	2.84	3.41	3.94	5.41	6.81	8.19
B	1.87	1.87	1.81	2.09	2.86	4.13	4.31	5.00
Ship Wgt. (lbs)	0.75	0.78	0.81	1.36	2.39	2.39	5.78	10.13
Qty. Per Ctn.	12	12	12	12	6	6	4	2